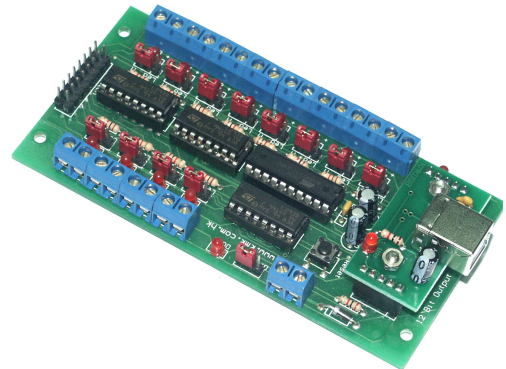


## KMK USB 12 Outputs Controller Operation Manual V3.15

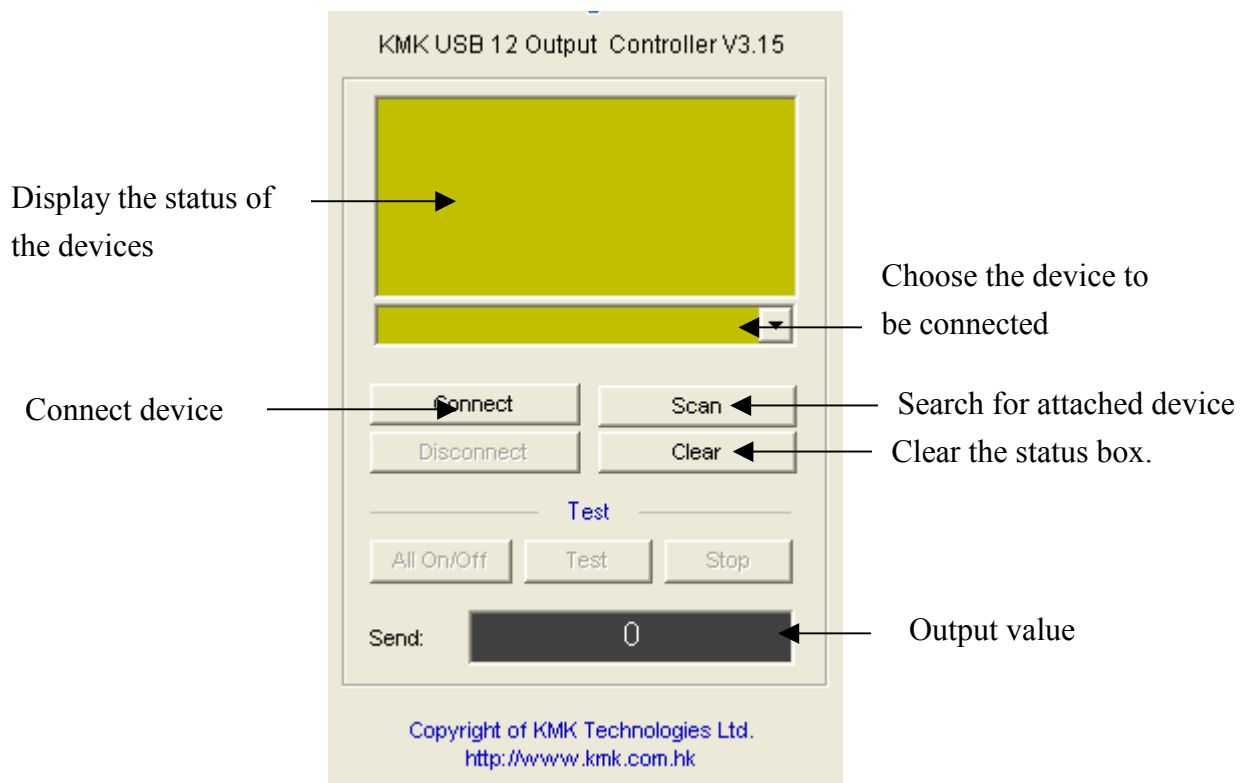
### Introduction

KMK USB 12O Controller Card is a plug and play easy to use controller. Driver and OCX control for writing programs with VB, C# and C++ are provided on the CD or can be downloaded from our web site ([www.kmk.com.hk](http://www.kmk.com.hk)). Please check our web site for the most up to date software and drivers.



### Operations

1. Plug the USB cable to the Controller.
2. Connect to any USB port of the PC.
3. On the right hand corner of Windows will display a message “KMK USB 12Out Controller” and prompt for installing the driver.
4. Browse to the driver folder of the CD and click “OK” and the drivers will be installed automatically.
5. Install the KMK USB OCX provided on the CD (or download from [www.kmk.com.hk](http://www.kmk.com.hk)).

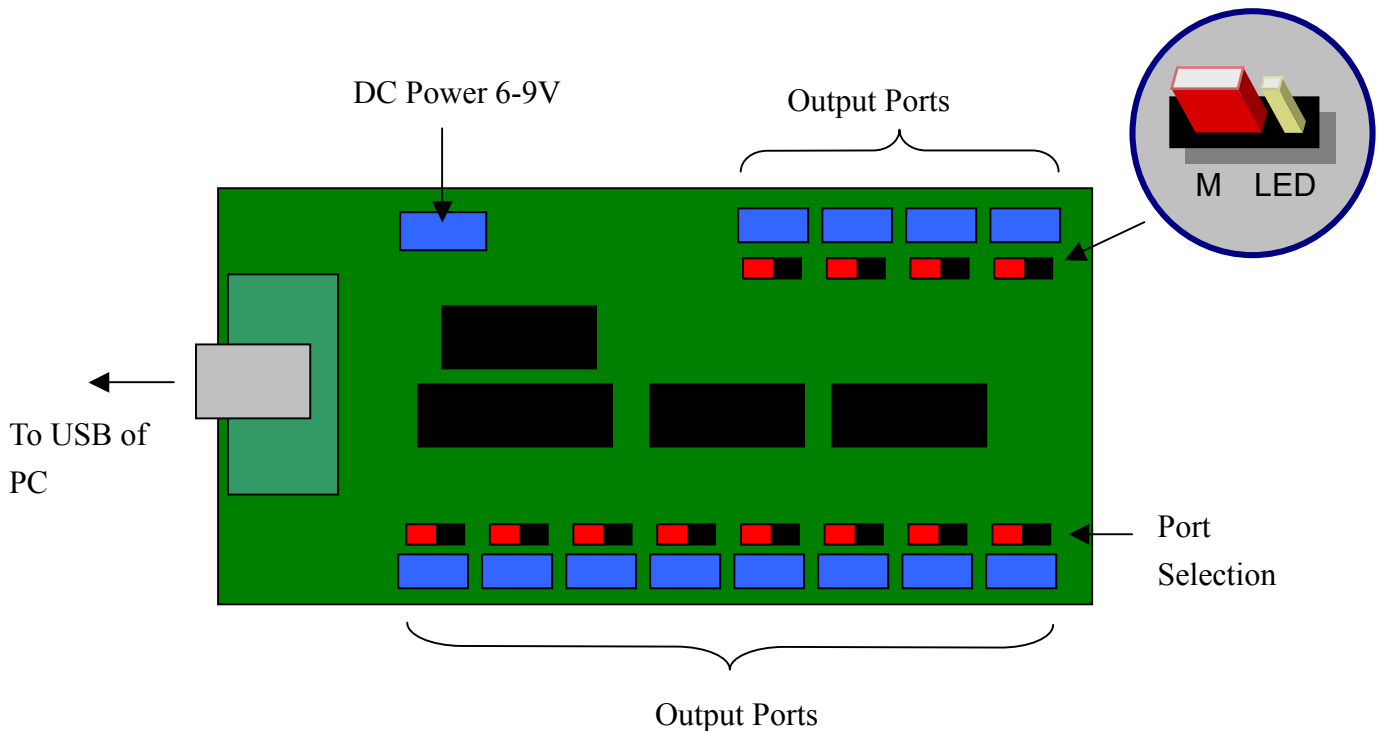


### KMK USB OCX Commands

KMKUSB12Out1.device = value	Value = Serial Number of the Device
KMKUSB12Out1.port_open_close = 1	Open the port
KMKUSB12Out1.port_open_close = 0	Close the port
KMKUSB12Out1.out = value	Output Value from 0 - 4096
KMKUSB12Out1.visible = false	Hide the OCX
KMKUSB12Out1.visible = true	Unhide the OCX

Note:

- For writing code to control the USB, the serial number must be entered before open or close the port.
- The first OCX should be named 'KMKUSB12Out1' and the second OCX should be 'KMKUSB12Out2' and so on.



Port Selection: LED – drive LEDs directly, M – Output up to 200MA.

Output Ports: Connect to output devices such as Led or Relays. The output voltage depends on the voltage input (DC Power) to the controller.

Note: DC power must be applied in order to operate the controller.